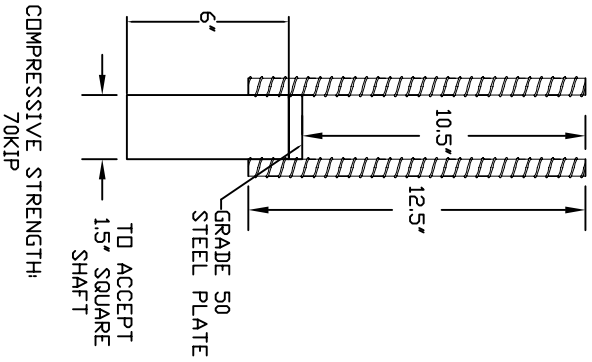
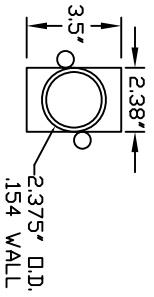
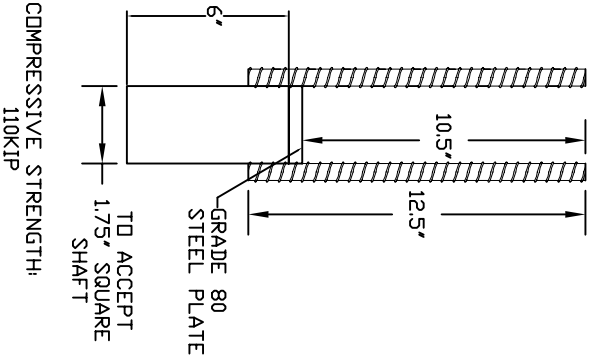
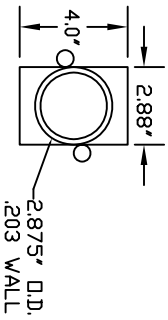


# COMPRESSION ONLY REBAR BRACKETS FOR SQUARE SHAFTS

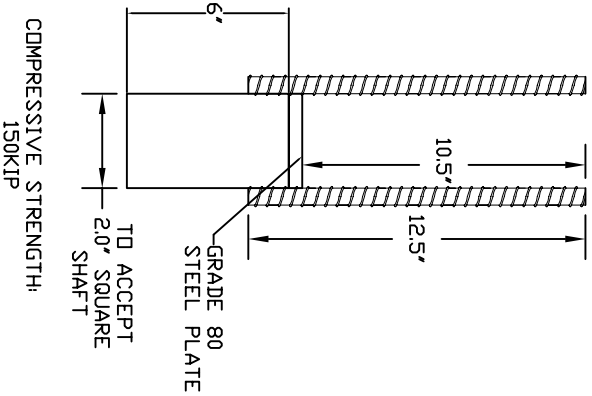
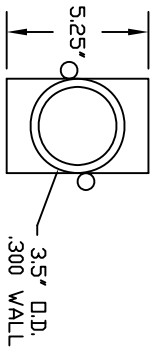
**C1500814**



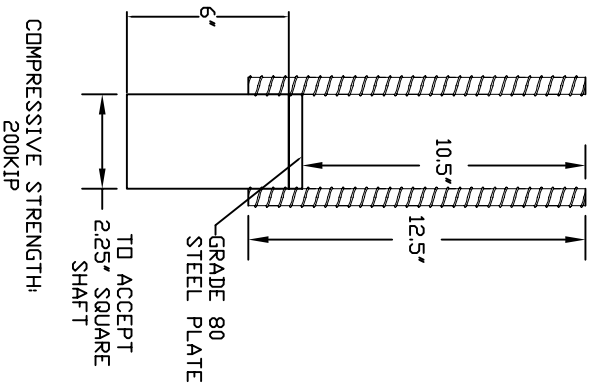
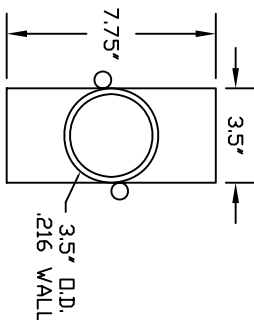
**C1500815**



**C1500816**



**C1500817**



=NOTES=

1. FINISH: STANDARD CATALOG NUMBER IS MILL FINISH STEEL.  
TO ORDER GALVANIZED FINISH ADD 'G' TO STANDARD CATALOG NUMBER.
2. MATERIAL SPECIFICATIONS:  
PLATE: HOT ROLLED STEEL PLATE PER ASTM A572 GRD. 50.  
OR HOT ROLLED STEEL PLATE PER ASTM A656 GRD. 80.  
PIPE: ERW PIPE PER ASTM A53 GRADE B OR PER ASTM A500 GRADE 50.

<b>CHANCE</b> TOLERANCE CHART		<b>HUBBELL POWER SYSTEMS</b>	
CONFIDENTIAL: THIS DRAWING AND ITS EXCLUSIVE PROPERTY OF HUBBELL POWER SYSTEMS. NO PUBLICATION, DISTRIBUTION OR COPIES MAY BE MADE WITHOUT THE WRITTEN CONSENT OF HUBBELL POWER SYSTEMS UNPUBLISHED. ALL RIGHTS RESERVED UNDER THE COPYRIGHT LAWS.		DO NOT SCALE THIS DRAWING	
TITLE <b>BRACKET, COMPRESSION RABBIT EAR</b>		SIZE DWG NO. SB SA150-0814	REV -
DRAWN BY JCA		CAT / PART / ASSY NO. SEE DRAWING	DATE 6/3/10
SHEET 1 OF 1			