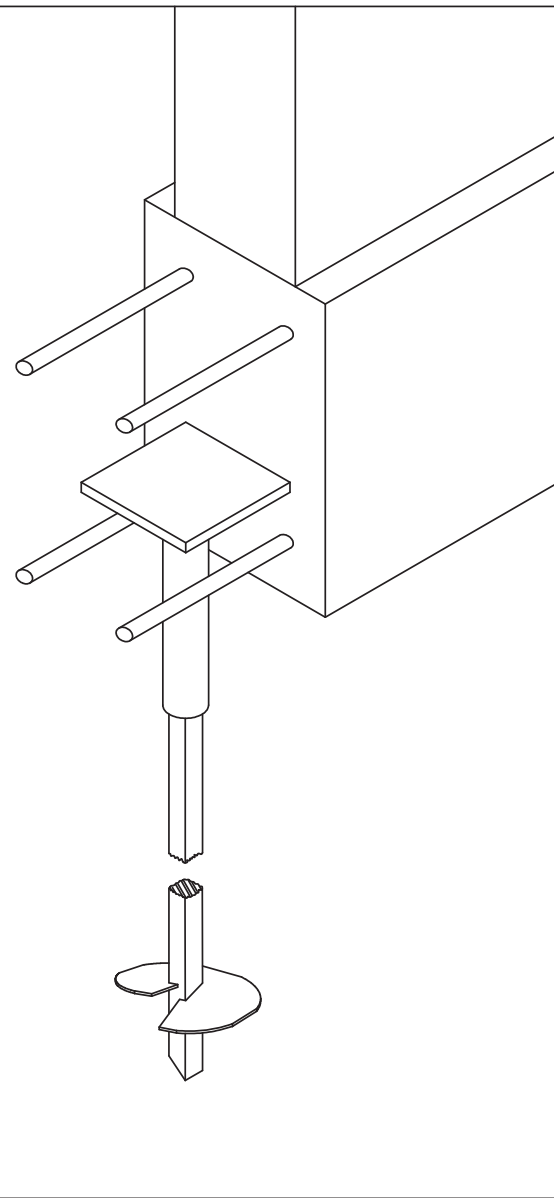
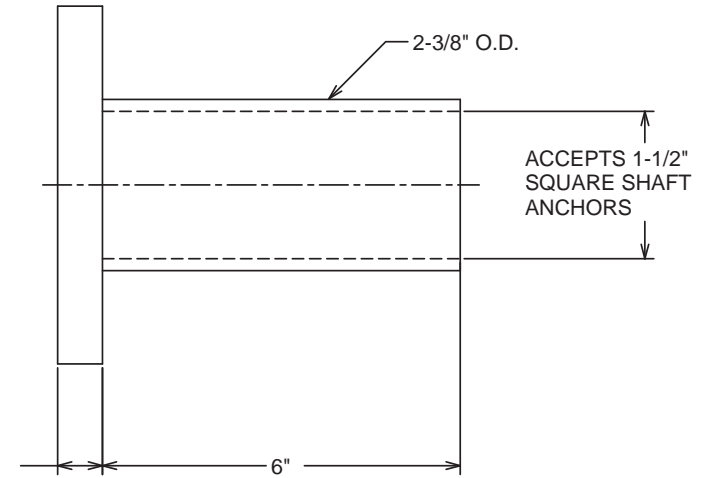
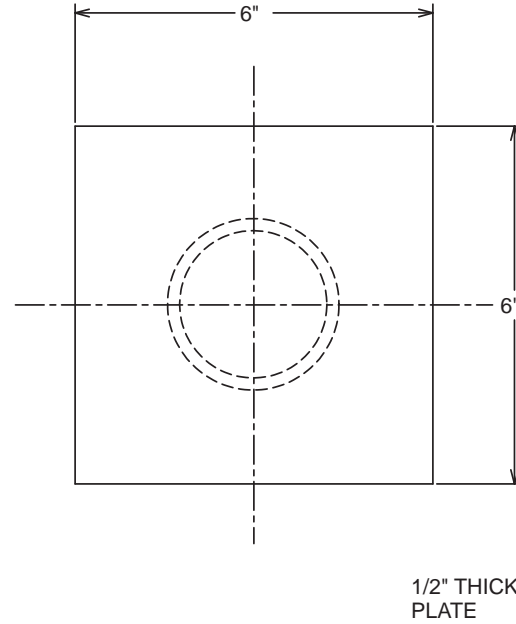


==NOTES==

1. FINISH: MILL FINISH STEEL.
2. MATERIAL SPECIFICATIONS:
 PIPE: STEEL PIPE, PER ASTM A53 GRADE B, OR
 ASTM A 500 GRADE B.
 PLATE: PER ASTM A572 GRADE 50.
3. RATING: 20 TON COMPRESSION WORKING/DESIGN LOAD.
 THIS RATING IS VALID ONLY IF THE PIER CAP DETAIL
 HAS BEEN DESIGNED TO ENSURE ADEQUATE LOAD TRANSFER
 FROM REINFORCED CONCRETE FOUNDATION TO SCREW PIER, AND
 IN ACCORDANCE WITH EXISTING LOCAL CODE REQUIREMENTS AND /OR
 ESTABLISHED LOCAL PRACTICES.



INSTALLATION CONCEPT OF
PIER CAP DETAIL



CATALOG NUMBER
C150-0458

LATEST EC. NO.	REV.	DATE	CHANGED BY	RESP ENGINEER
04807	A	05/24/02	JOBE	BEARD

MARTIN 02-28-02 **PIER CAP, FOR NEW CONSTRUCTION**



POWER SYSTEMS, INC.



DWG NO:
SA150-0458

CONFIDENTIAL: THIS DRAWING AND ITS CONTENTS ARE CONFIDENTIAL AND THE EXCLUSIVE
 PROPERTY OF HUBBELL / A.B. CHANCE COMPANY. NO PUBLICATION, DISTRIBUTION OR
 COPIES MAY BE MADE WITHOUT WRITTEN CONSENT BY HUBBELL / A.B. CHANCE COMPANY.
 ©2002 HUBBELL/A.B. CHANCE. UNPUBLISHED - ALL RIGHTS RESERVED UNDER THE COPYRIGHT LAWS