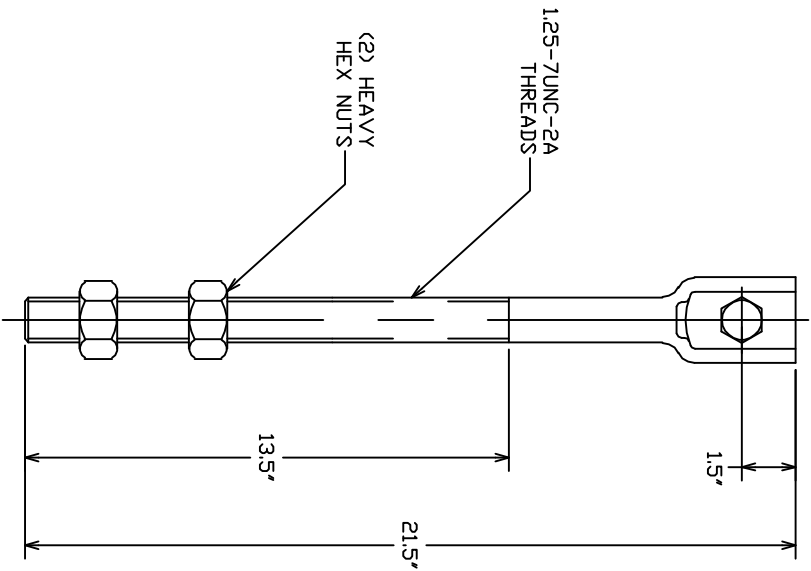



1. HOT DIP GALVANIZED PER ASTM A153-(LATEST REVISION).
4. COUPLING BOLTS: 3/4" DIAMETER X 3" LONG HEX HEAD PER ASTM A325 TYPE 1.
5. MANUFACTURER TO HAVE IN EFFECT INDUSTRY RECOGNIZED WRITTEN QUALITY CONTROL FOR ALL MATERIALS AND MANUFACTURING PROCESSES.

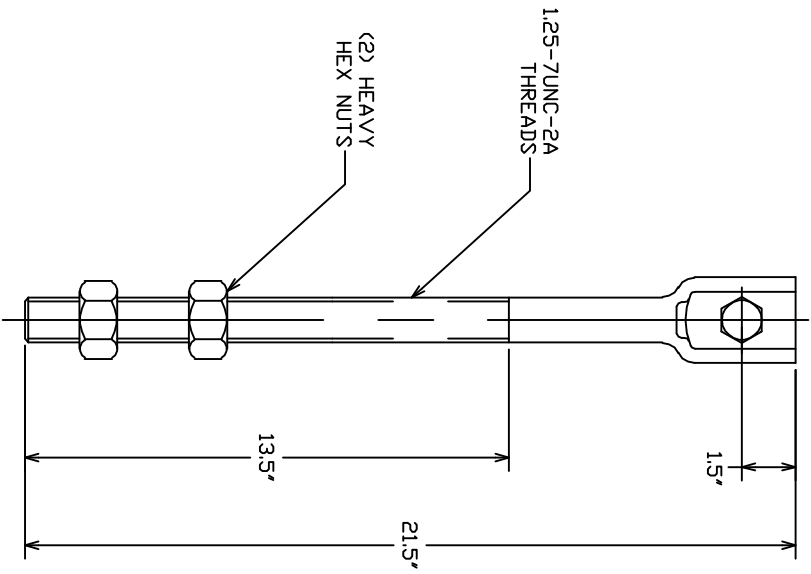
==NOTES==




CHANCE		 HUBBELL POWER SYSTEMS	
CONFIDENTIAL: THIS DRAWING AND ITS CONTENTS ARE CONFIDENTIAL AND THE INFORMATION CONTAINED HEREIN IS UNCLASSIFIED AND PUBLIC DOMAIN. DISTRIBUTION OF COPIES MAY BE MADE WITHOUT THE WRITTEN PERMISSION OF HUBBELL POWER SYSTEMS. HUBBELL POWER SYSTEMS UNPUBLISHED OR RIGHTS RESERVED UNDER THE COPYRIGHT LAWS.			
TITLE	THREADED ADAPTER		
SIZE	DWG NO.	CAT / PART / ASSY NO.	REV
SB SA110-0026	C110-0026		-
DPO NOT SCALE THIS DRAWING	DWN BY	DATE	SHEET
	KSH	6/19/09	1/1

1. HOT DIP GALVANIZED PER ASTM A153-(LATEST REVISION).
4. COUPLING BOLTS: 3/4" DIAMETER X 3' LONG HEX HEAD PER ASTM A325 TYPE 1.
5. MANUFACTURER TO HAVE IN EFFECT INDUSTRY RECOGNIZED WRITTEN QUALITY CONTROL FOR ALL MATERIALS AND MANUFACTURING PROCESSES.

==NOTES==



CHANCE		 HUBBELL POWER SYSTEMS	
<small>CONFIDENTIAL: THIS DRAWING AND ITS CONTENTS ARE CONFIDENTIAL AND THE INFORMATION CONTAINED HEREIN IS UNCLASSIFIED AND PUBLIC DOMAIN. DISTRIBUTION OF COPIES MAY BE MADE WITHOUT PERMISSION OF HUBBELL POWER SYSTEMS UNLESS OTHERWISE INDICATED. HUBBELL POWER SYSTEMS UNPUBLISHED OR RIGHTS RESERVED UNDER THE COPYRIGHT LAWS.</small>		<small>DO NOT SCALE THIS DRAWING</small>	
<small>TITLE</small> THREADED ADAPTER		<small>SIZE</small> SB SA110-0026	<small>DATE / PART / ASSY NO.</small> C110-0026
<small>DRN BY</small> KSH		<small>DATE</small> 6/19/09	
<small>SHEET</small> 1/1		<small>REV</small> -	