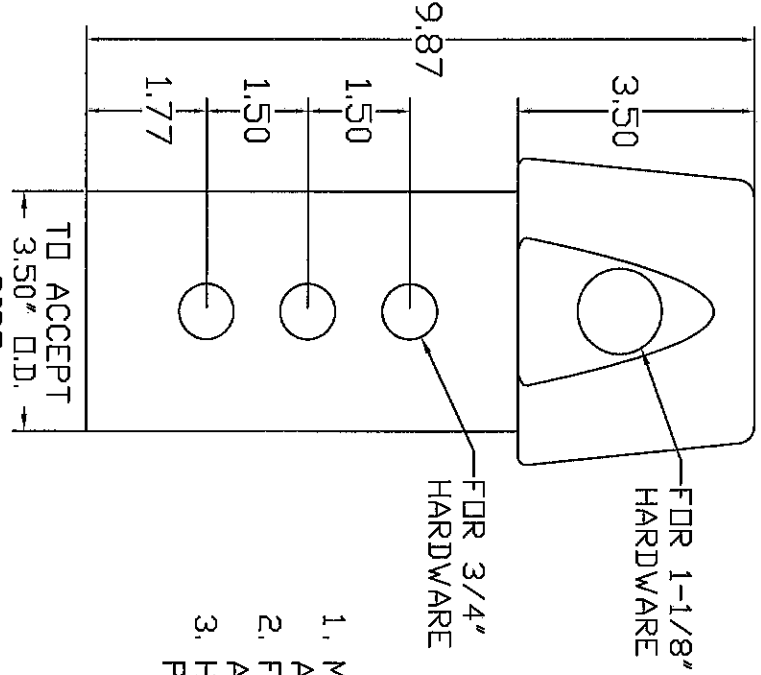
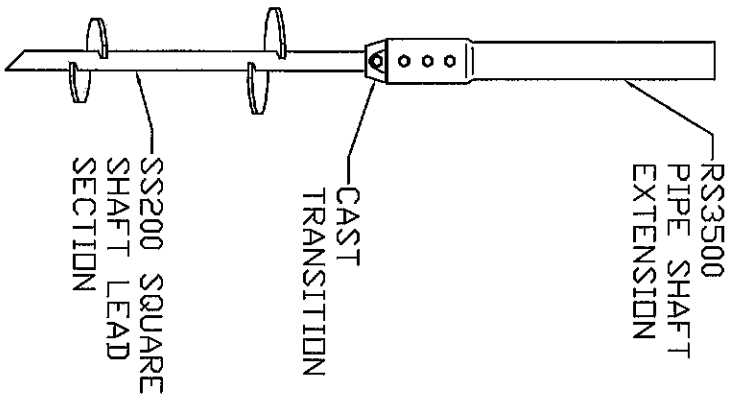
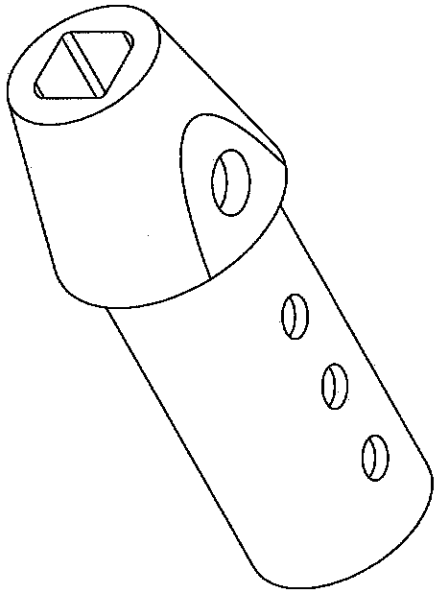
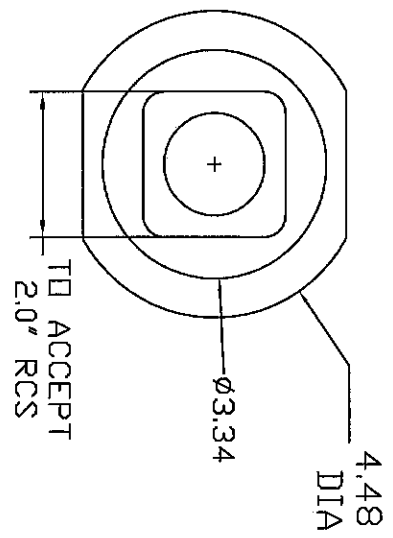


TORQUE RATING: 13,000 FT-LBS
 COMPRESSION RATING: 120 KIP
 TENSION RATING: 120 KIP



TYPICAL PIER ASSEMBLY

CATALOG NUMBER:
 C1500937

- NOTES-
1. MATERIAL: CAST DUCTILE IRON PER ASTM A536 65-45-12.
 2. FINISH: HOT DIP GALVANIZED PER ASTM A153.
 3. HARDWARE: 1-1/8" HEX HEAD BOLT PER ASTM A193 GRADE B7.

CHANCE		HUBBELL POWER SYSTEMS	
<small>CONVENTIONAL, THIS DRAWING AND THE CONTENTS ARE CONFIDENTIAL AND THE EXCLUSIVE PROPERTY OF HUBBELL POWER SYSTEMS. ALL RIGHTS ARE RESERVED. REPRODUCTION OR DISTRIBUTION OF COPIES MAY BE MADE WITHOUT THE WRITTEN CONSENT OF HUBBELL POWER SYSTEMS. UNAUTHORIZED ALL RIGHTS RESERVED UNDER THE COPYRIGHT LAW.</small>		<small>DO NOT SCALE THIS DRAWING</small>	<small>DATE 2/20/13</small>
<small>TITLE</small> TRANSITION, CAST	<small>SIZE</small> 2.00" RCS TD 3.50" PIPE	<small>DATE</small> SA1500937	<small>SHEET</small> 1 OF 1

INDICATES A
 CRITICAL FEATURE