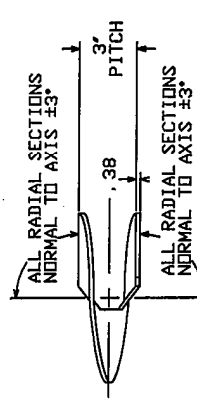
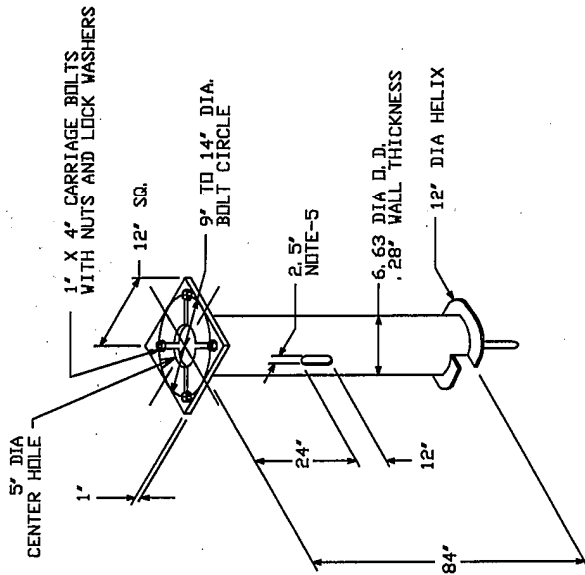


-NOTES-

1. FINISH: HOT DIP GALVANIZE PER ASTM-A153 (LATEST REVISION). BASEPLATE TO BE PERPENDICULAR TO SHAFT AXIS ($\pm 1^\circ$) AND HOLE CENTERLINE CONCENTRIC ($\pm .188$) TO SHAFT AXIS.
2. STENCIL MIN. 1/2 IN. LETTERS MANUFACTURER'S NUMBER AFTER GALVANIZING.
3. PILOT POINT AND SHAFT AXES TO BE CONCENTRIC ($\pm .125$ FIN) AND IN LINE ($\pm 2^\circ$).
4. FLAME CUT SLOT PERPENDICULAR TO THE BASEPLATE.
5. PREHEAT, TUMBLEBLAST, HANDGRIND, AND CLEAN BASEPLATE, HELIX, AND PILOT POINT ON ALL WELDED AREAS.
6. FLAMECUT IRREGULARITIES PERMISSIBLE: (1) VALLEYS NOT TO EXCEED 3/32 IN. BELOW NOMINAL SURFACE LEVEL, (2) PEAKS OR POSITIVE IRREGULARITIES NOT TO EXCEED 1/32 IN. ABOVE NOMINAL SURFACE LEVEL OR INTERSECTIONS OF NOMINAL SURFACES.
7. MANUFACTURER TO HAVE IN EFFECT INDUSTRY RECOGNIZED WRITTEN QUALITY CONTROL FOR ALL MATERIALS AND MANUFACTURING PROCESSES. ALL MATERIAL IS TO BE NEW, UNUSED AND MILL TRACEABLE MEETING THE FOLLOWING SPECIFICATIONS:
8. BASEPLATE: ASTM A36-(LATEST REVISION) STRUCTURAL STEEL (CONFORM TO AASHTO TECH. BUL. #270D).
9. SHAFT: ASTM A252-(LATEST REVISION) GRADE 2, STEEL PIPE PILES. ALTERNATE MATERIAL: ASTM A53-(LATEST REVISION) TYPE E OR S, GRADE B, STEEL PIPE OR ASTM A500-(LATEST REVISION) GRADE B, STRUCTURAL STEEL TUBING.
10. HELIX: ASTM A635-(LATEST REVISION) 3/8" THICK HOT ROLLED STEEL PLATE OR COIL.
11. PILOT POINT: ASTM A575-(LATEST REVISION) 1-1/4" DIAMETER HOT ROLLED STEEL BAR.
12. BOLTS: CARRIAGE BOLTS PER ANSI B-18.5, SAE J429 GRADE-5.
13. NUTS: HEAVY HEX NUTS PER ASTM A194 GRADE 2H OR ASTM A563 GRADE DH, MEETING THE SUPPLEMENTARY REQUIREMENTS OF ASTM A563, 1-8UNC-2B PER ANSI B18.2.2.
14. BASEPLATE IS PERMANENTLY STAMPED WITH MANUFACTURER'S IDENTIFICATION "ABC" IN 1/2" LETTERS AND DATE CODE IN 1/4" LETTERS.
15. BASEPLATE PERMANENTLY MARKED TO INDICATE CABLEWAY OPENING IN SHAFT.



HELIX MUST BE FORMED BY MATCHING METAL DIE (SIDE VIEW OF TRUE HELICAL FORM)

	HUBBELL POWER SYSTEMS	
	LIGHTING FOUNDATION	
TITLE	DWG NO.	CAT / PART / ASSY NO.
SB SA112-0262	T112-0262	REV
HUBBELL POWER SYSTEMS	HUBBELL POWER SYSTEMS	H
DO NOT SCALE THIS DRAWING	DRN BY KSH	DATE 10/22/04
SHEET 1/1	SHEET 1/1	SHEET 1/1

LIGHTING FOUNDATION
CAT. NO. T112-0262