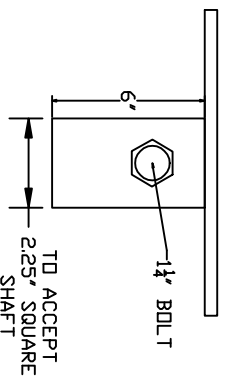
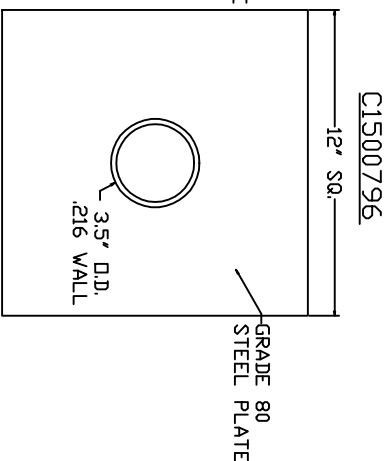
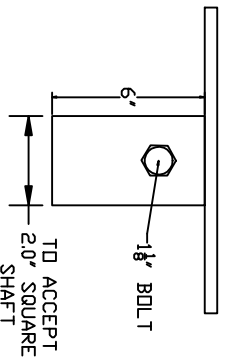
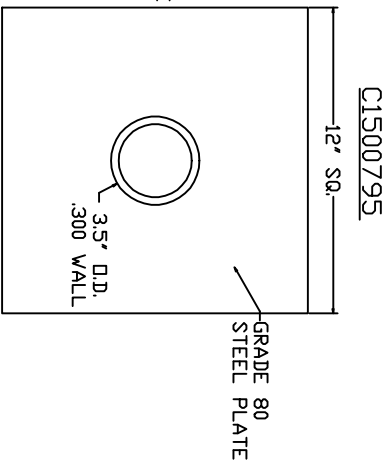
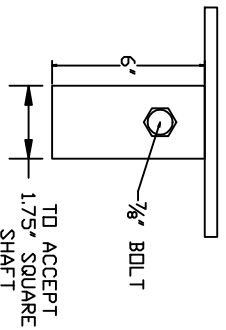
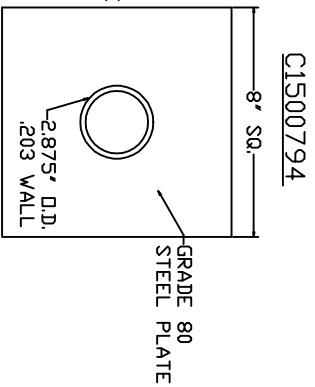
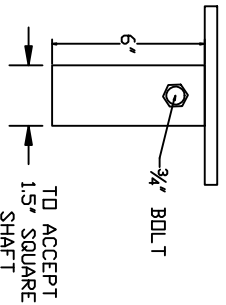
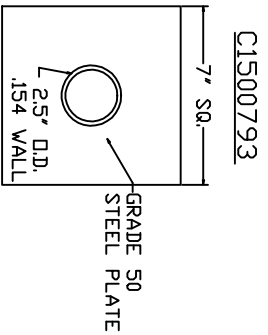


COMPRESSION/TENSION NEW CONSTRUCTION CAPS FOR SQUARE SHAFTS



COMPRESSION STRENGTH: 70KIP
TENSION STRENGTH: 46KIP

COMPRESSION STRENGTH: 110KIP
TENSION STRENGTH: 74KIP

COMPRESSION STRENGTH: 150KIP
TENSION STRENGTH: 90KIP

COMPRESSION STRENGTH: 200KIP
TENSION STRENGTH: 80KIP

=NOTES=

1. FINISH: STANDARD CATALOG NUMBER IS MILL FINISH STEEL.
TO ORDER GALVANIZED FINISH ADD 'G' TO STANDARD CATALOG NUMBER.
2. MATERIAL SPECIFICATIONS:
 PLATE: HOT ROLLED STEEL. PLATE PER ASTM A572 GRD. 50.
 OR HOT ROLLED STEEL PLATE PER ASTM A656 GRD. 80.
 PIPE: ERW PIPE PER ASTM A53 GRADE B OR PER ASTM A500 GRADE 50.
 BOLT: 3/4", HEX HEAD BOLTS PER ASTM A325 TYPE 1.
 7/8", 1-1/8", AND 1-1/4" HEX HEAD BOLTS PER ASTM A193.

<p>CHANCE TOLERANCE CHART</p>	 HUBBELL POWER SYSTEMS BRACKET, COMPRES./TEN. NEW CONSTRUCTION
CONFIDENTIAL. THIS DRAWING AND ITS CONTENTS ARE CONFIDENTIAL AND THE PROPERTY OF HUBBELL POWER SYSTEMS. NO REPRODUCTION, DISTRIBUTION OR COPIES MAY BE MADE WITHOUT THE WRITTEN CONSENT OF HUBBELL POWER SYSTEMS. UNPUBLISHED. ALL RIGHTS RESERVED UNDER THE COPYRIGHT LAWS.	DO NOT SCALE THIS DRAWING SIZE DWG NO. SB SA150-0793 CAT / PART / ASSY NO. SEE DRAWING DPN BY JCA DATE 6/3/10 SHEET 1 OF 1