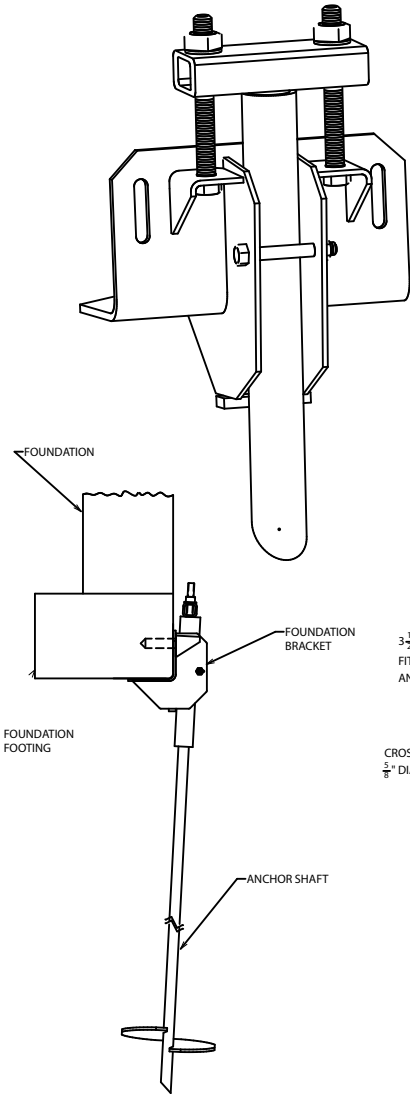


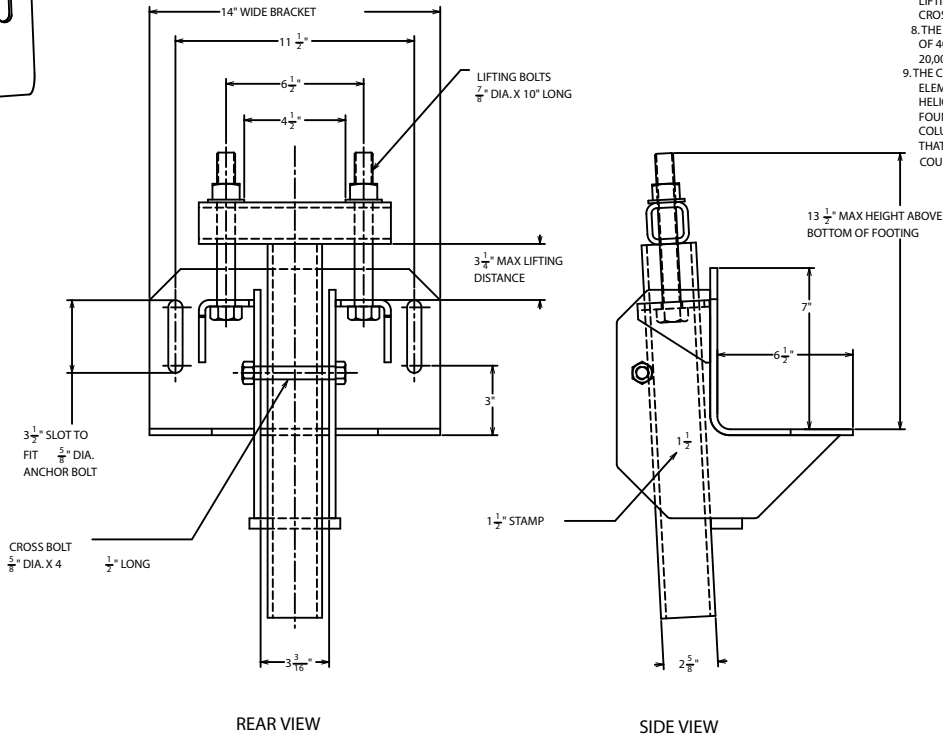
-NOTES-

- HOT DIP GALVANIZE PER ASTM A153-(LATEST REVISION).
- ASSEMBLE COMPLETE AS SHOWN IN SIDE VIEW.
- COVERED BY ONE OR MORE OF THE FOLLOWING UNITED STATES PATENTS:
5,011,336
5,120,163
5,213,448
- DO NOT EXCEED 165 FT-LBS OF TORQUE ON 7/8" DIA LIFTING BOLTS DURING STABILIZING OR LOAD LOCK-OFF.
- RECOMMENDED ANCHOR SHAFT CUTOFF LEVEL ABOVE THE BOTTOM OF THE FOOTING IS 10" TO 11" FOR MAXIMUM LIFT DISTANCE.
- FOR DETAILED INSTALLATION INSTRUCTIONS, READ CHANCE BULLETIN 01-9812.
- MATERIAL SPECIFICATIONS:
BRACKET BODY : PER ASTM A36 AND ASTM A570 GR. 50.
T-PIPE TUBE : HOT ROLLED MECHANICAL TUBING PER ASTM A500.
LIFTING BOLTS : HEX HEAD BOLT PER SAE J429 GRADE 5.
CROSS BOLT : HEX HEAD BOLT PER SAE J429 GRADE 5.
- THE C150-0121 BRACKET HAS A MINIMUM ULTIMATE STRENGTH OF 40,000 LBS. A FACTOR OF SAFETY OF 2 YIELDS A SAFE WORKING LOAD OF 20,000 LBS FOR THE BRACKET ONLY.
- THE CAPACITY OF THE UNDERPINNING SYSTEM IS A FUNCTION OF MANY INDIVIDUAL ELEMENTS, INCLUDING THE CAPACITY OF THE FOUNDATION, BRACKET, PIER SHAFT HELICAL PLATE, AND BEARING STRATA, AS WELL AS THE STRENGTH OF THE FOUNDATION TO BRACKET CONNECTION AND THE QUALITY OF PIER INSTALLATION. COLUMN THREE OF THE TABLE SHOWS TYPICAL UNDERPINNING SYSTEM CAPACITIES THAT ARE ACHIEVABLE UNDER NORMAL CONDITIONS. YOUR ACHIEVABLE CAPACITIES COULD BE HIGHER OR LOWER DEPENDING ON THE ABOVE FACTORS.

MINIMUM MECHANICAL ULTIMATE STRENGTH OF 40,000 LB.



TYPICAL INSTALLATION
FOUNDATION REPAIR BRACKET



CC150-0121 ACCEPTS
SS5 & SS150 1 1/2" SHAFTS

UNDERPINNING SYSTEM PER PIER/BRACKET LOAD RATINGS (SEE NOTE-9)				
ANCHOR TYPE	BRACKET	MINIMUM ULTIMATE STRENGTH	WORKING LOAD 2.0 SAFETY FACTOR	TYPICAL ACHIEVABLE INSTALLED CAPACITIES
SS5	CC150-0121	40,000 LB	20,000 LB	20,000 LB
SS150	CC150-0121	40,000 LB	20,000 LB	25,000 LB

ICBO LISTED
ER-5110

SBCCI LISTED
ER-9504B

<p>CHANCE TOLERANCE CHART</p>		<p>HUBBELL POWER SYSTEMS</p>	
<p>CONFIDENTIAL-THIS DRAWING AND ITS CONTENTS ARE CONFIDENTIAL AND THE EXCLUSIVE PROPERTY OF HUBBELL POWER SYSTEMS. NO PUBLICATION, DISTRIBUTION OR COPIES MAY BE MADE WITHOUT THE WRITTEN CONSENT OF HUBBELL POWER SYSTEMS. HUBBELL POWER SYSTEMS UNPUBLISHED ALL RIGHTS RESERVED UNDER THE COPYRIGHT LAWS.</p>		<p>TITLE BRACKET, STANDARD UNDERPINNING BRACKET</p>	
SIZE	DWG NO.	CAT / PART / ASSY NO.	REV
SB	SA150-0121	C150-0121	K
DO NOT SCALE THIS DRAWING	DRN BY	KSH	DATE 4/22/04 SHEET 1 OF 1