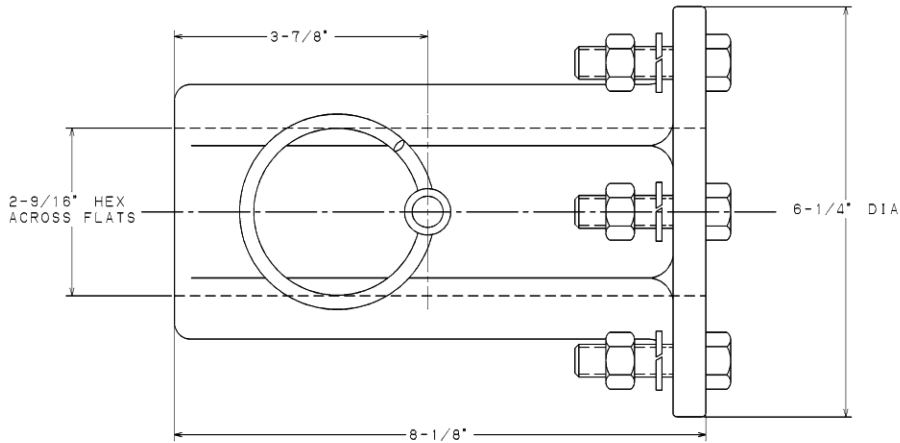


=NOTE=

1. FINISH SPRUCE GREEN ENAMEL.



LATEST EC NO:	REV.	DATE	CHANGED BY	RESP ENGINEER
EC95121303	A	12-13-95	THOMAS	HOYT

DO NOT SCALE THIS DWG

THIRD ANGLE PROJECTION

ISO DUAL DIMENSIONS
1X=INCH. MM=MILLIMETER

DRN BY:	DATE	TITLE:	SIZE
JONES	04-108-01	KELLY BAR SOCKET	C



DWG NO: SA630011HD

CONFIDENTIAL: THIS DRAWING AND ITS CONTENTS ARE CONFIDENTIAL AND THE EXCLUSIVE PROPERTY OF MURBELL, CHANCE, EAS GARD, OR DISTRIBUTION COMPANY. COPIES MAY BE MADE WITHOUT PERMISSION OF MURBELL, CHANCE, EAS GARD, OR DISTRIBUTION COMPANY. © 2000 MURBELL/A. B. CHANCE. UNPUBLISHED - ALL RIGHTS RESERVED UNDER THE COPYRIGHT LAWS