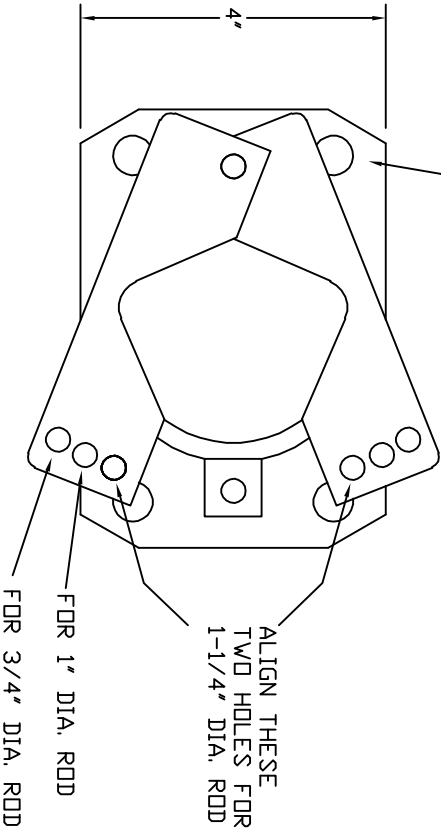


TORQUE RATING = 3000 FT.-LBS.



4 HOLES FOR 1/2" BOLTS, EQUALLY SPACED ON 6 HOLE 5.25" BOLT CIRCLE

CHANCE  
HELICAL



HUBBELL POWER SYSTEMS  
ANCHOR ADAPTER  
E3030255

CONFIDENTIAL: THIS DRAWING AND THE INFORMATION CONTAINED HEREIN ARE THE EXCLUSIVE PROPERTY OF HUBBELL POWER SYSTEMS, INC. NO REPLICATION, REPRODUCTION, OR DISSEMINATION OF HUBBELL POWER SYSTEMS, INC. INFORMATION IS PERMITTED WITHOUT THE PRIOR WRITTEN CONSENT OF HUBBELL POWER SYSTEMS, INC. ALL RIGHTS RESERVED UNDER THE COPYRIGHT LAWS.

SIZE	DWG NO.	REV
A	SA3030255	-
DO NOT SCALE THIS DRAWING	DRN BY JCA	DATE 08/27/08
		SHEET 1/1