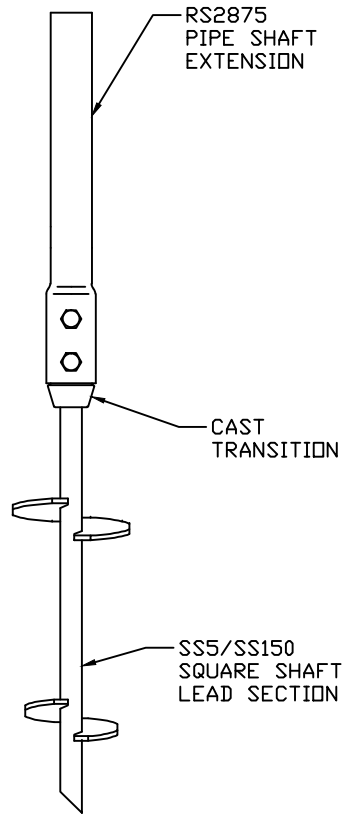
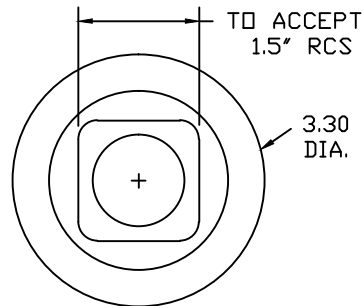
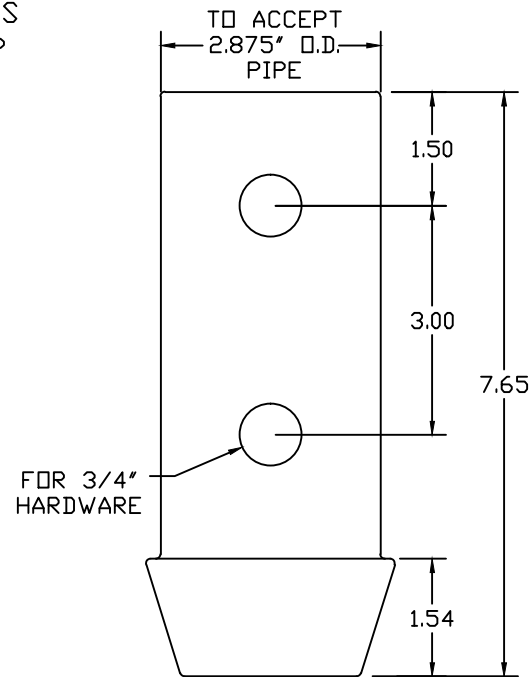


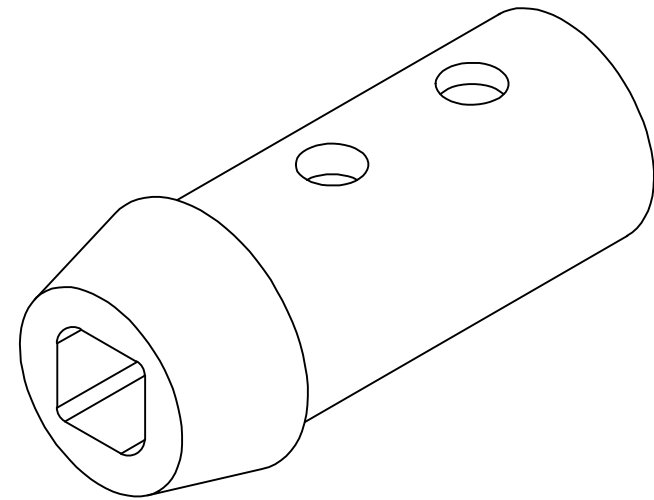
TORQUE RATING: 7,000 FT-LBS
 COMPRESSION RATING: 72 KIP
 TENSION RATING: 62 KIP



TYPICAL PIER ASSEMBLY




CATALOG NUMBER:
 C1500896



=NOTES=

1. MATERIAL: CAST DUCTILE IRON PER ASTM A536 65-45-12.
2. FINISH: HOT DIP GALVANIZED PER ASTM A153.
3. HARDWARE: USE HARDWARE INCLUDED IN STANDARD PIPE SHAFT EXTENSION.

CHANCE		 HUBBELL POWER SYSTEMS	
<small>CONFIDENTIAL: THIS DRAWING AND ITS CONTENTS ARE CONFIDENTIAL AND THE EXCLUSIVE PROPERTY OF HUBBELL POWER SYSTEMS. NO PUBLICATION, DISTRIBUTION OR COPIES MAY BE MADE WITHOUT THE WRITTEN CONSENT OF HUBBELL POWER SYSTEMS. HUBBELL POWER SYSTEMS UNPUBLISHED. ALL RIGHTS RESERVED UNDER THE COPYRIGHT LAWS.</small>		<small>POWER SYSTEMS, INC.</small> TITLE TRANSITION, CAST 1.5" RCS TO 2.875" PIPE	
<small>SIZE</small> SB	<small>DWG NO.</small> SA1500896	<small>REV</small> -	<small>DO NOT SCALE THIS DRAWING</small>
<small>DRN BY</small> JCA	<small>DATE</small> 3/08/11	<small>SHEET</small> 1/1	