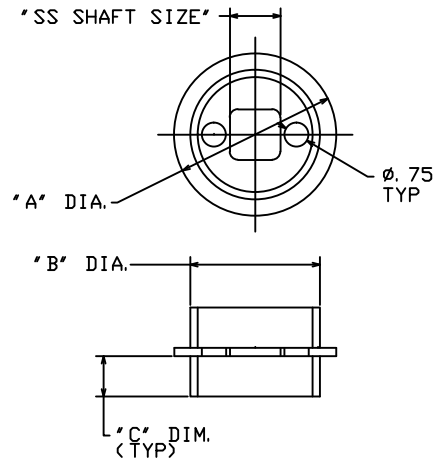
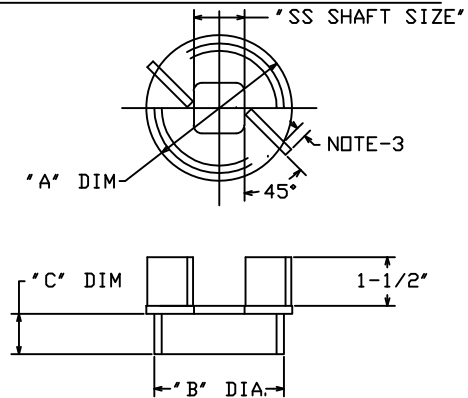


DISPLACEMENT PLATES FOR CASED GROUT COLUMNS

CASED EXTENSION DISPLACEMENT PLATE (CEDP)



CASED LEAD DISPLACEMENT PLATE (CLDP)



-NOTES-

1. MAT'L: FLAT PLATE, 1/4" STEEL PER A36. TUBE, PER ASTM A513.
2. PADDLES OVERHANG OUTSIDE PERIMETER OF PLATE.

CASED EXTENSION DISPLACEMENT PLATE				
CAT. NO.	" A "	" B "	" C "	SS SHAFT SIZE
T150-0338	5"	4"	1-1/4"	1-1/2"
C150-0426	7"	6"	1-3/4"	1-3/4"
C150-0427	7"	6"	1-3/4"	2"
C15004260101	7"	6"	1-3/4"	1-1/2"

CASED LEAD DISPLACEMENT PLATE				
CAT. NO.	" A "	" B "	" C "	SS SHAFT SIZE
T150-0339	5"	4"	1-1/4"	1-1/2"
C150-0424	7"	6"	1-3/4"	1-3/4"
C150-0425	7"	6"	1-3/4"	2"
C15004240101	7"	6"	1-3/4"	1-1/2"

HELICAL PULLDOWN[®] MICROPILE

<p>CHANCE</p>		<p>HUBBELL POWER SYSTEMS</p>		
<p>TITLE: CASED DISPLACEMENT PLATES</p>				
<p>CONFIDENTIAL: THIS DRAWING AND ITS CONTENTS ARE CONFIDENTIAL AND THE EXCLUSIVE PROPERTY OF HUBBELL POWER SYSTEMS. NO PUBLICATION, DISTRIBUTION OR COPIES MAY BE MADE WITHOUT THE WRITTEN CONSENT OF HUBBELL POWER SYSTEMS. HUBBELL POWER SYSTEMS UNPUBLISHED ALL RIGHTS RESERVED UNDER THE COPYRIGHT LAWS.</p>	<p>SIZE: SB SA150-0338</p>	<p>DWG NO. SA150-0338</p>	<p>CAT / PART / ASSY NO. SEE CHART</p>	<p>REV D</p>
<p>DO NOT SCALE THIS DRAWING</p>	<p>DRN BY KSH</p>	<p>DATE 8/10/04</p>	<p>SHEET 1/1</p>	