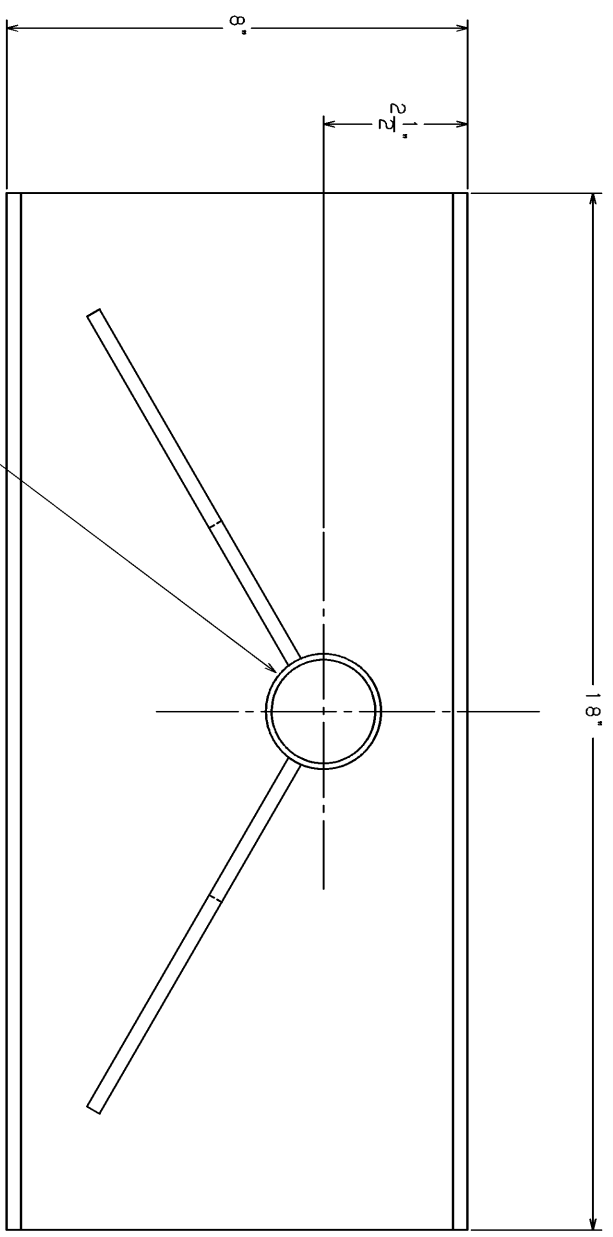
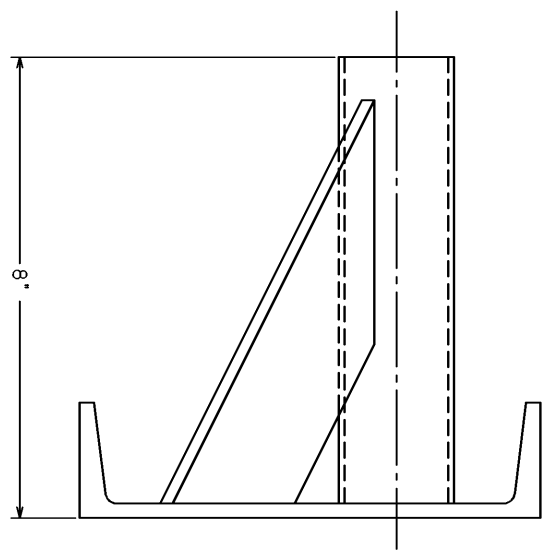


-NOTES-

1. USER WILL SUPPLY CONCRETE BLOCKS AND METAL SHIMS.
2. LOAD RATING OF THE GROUT AND HAUNCH BRACKET.
WORKING LOAD: 10,000 LBS.
ULTIMATE LOAD: 20,000 LBS.
3. ALL WELDING DONE BY WELDERS CERTIFIED UNDER SECTION 5 OF THE AWS CODE D1.1.
4. MATERIAL SPECS:
C-CHANNEL: 11.5 #/FT. PER ASTM A36.
PIPE: 2" SCH 40 PER ASTM A53, TYPE E OR S, GRADE B.
GUSSETS: 1/4" THICK PER ASTM A36.



BOTTOM VIEW OF
GROUT & HAUNCH BRACKET

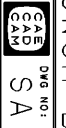


SIDE VIEW OF
GROUT & HAUNCH BRACKET

CATALOG NUMBER
C150-0284
GALVANIZED

CATALOG NUMBER
C150-0278
BLACK

LATEST EC NO.:		REV.	DATE	CHANGED BY	RESP. ENGINEER
EC97042204		A	05-05-97	MARTIN	HOYT
DRN BY:	DATE	TITLE:			
QUALS	03-13-98	GROUT & HAUNCH BRACKET			
SCALE		THIRD ANGLE PROJECTION			
1"=1" INCH, MM=MILLIMETER		ISO DUAL DIMENSIONS			
Dwg. No.:		SA150-0278			



CONFIDENTIAL: THIS DRAWING AND ITS CONTENTS ARE CONFIDENTIAL AND THE EXCLUSIVE PROPERTY OF HUBBELL / A. B. CHANCE COMPANY. NO PUBLICATION, DISTRIBUTION OR COPIES MAY BE MADE WITHOUT WRITTEN CONSENT BY HUBBELL / A. B. CHANCE COMPANY. © 2000 HUBBELL/A. B. CHANCE. UNPUBLISHED - ALL RIGHTS RESERVED UNDER THE COPYRIGHT LAWS