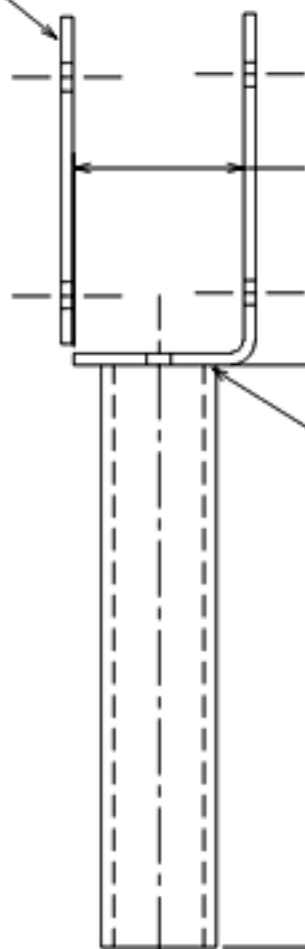
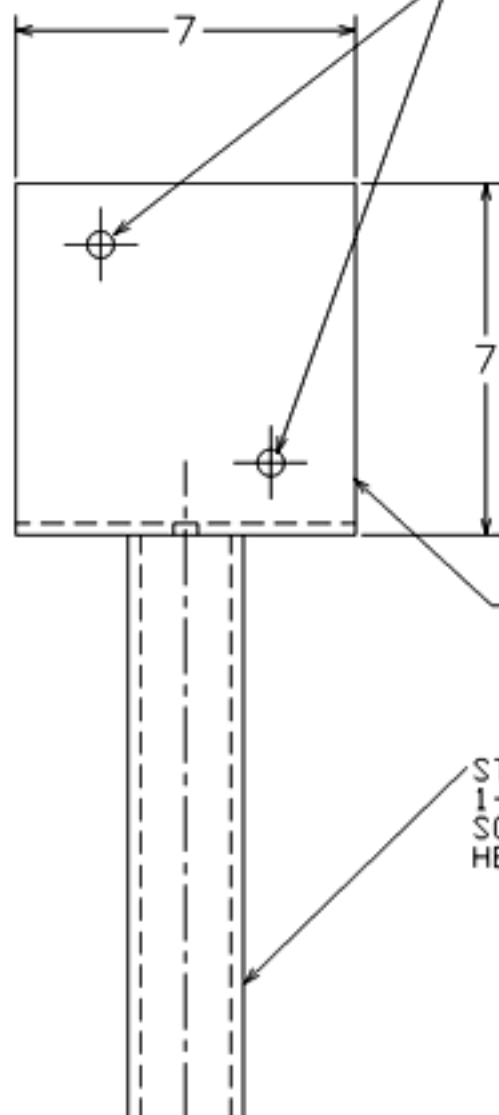


SEPARATE PLATE WITH
MATCHING BOLT HOLES



TWO HOLES TO ACCEPT 1/2"
DIA. BOLTS OR LAG SCREWS



STEEL PIPE TO ACCEPT
1-1/2" ROUND-CORNERED-
SQUARE (RCS) SOLID STEEL
HELICAL PIER SHAFT

-NOTES-

1. HOT DIPPED GALVANIZED PER ASTM A-153.
2. MATERIAL FOR SADDLE HOT ROLLED STEEL.
3. BOLTS: 1/2" DIA. HEX HEAD, 4-1/2" LONG WITH NUT AND LOCKWASHER. SUPPLIED BY OTHERS
4. 10000 LB MAX LOAD COMPRESSION ONLY
5. BEAM SADDLE FORMED FROM 1/4" THICK STEEL PLATE.

LATEST EC NO		REV.	DATE	CHANGED BY	RESP ENGINEER
EC96030814		A	03-11-96	MARTIN	HDYT
KIRK	11-01-95	WALKWAY SUPPORT BRACKET			
					SA110-0682