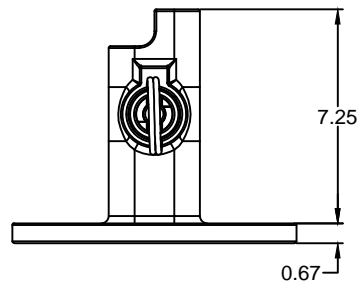
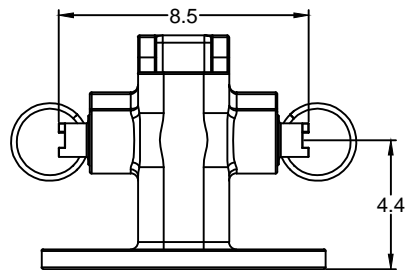
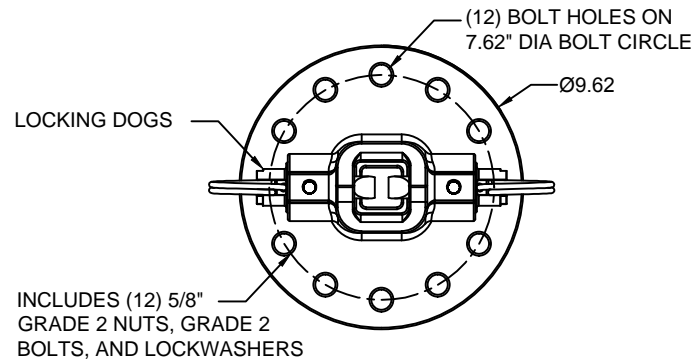
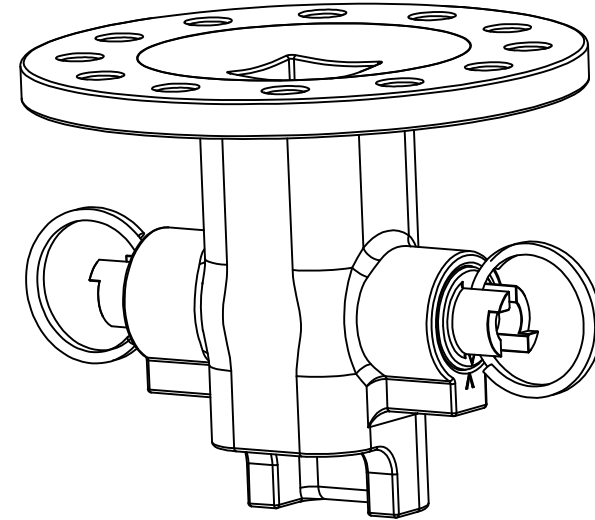



- * * NOTES * *
1. MAT'L CAST STEEL
 2. PAINTED SPRUCE GREEN

CATALOG NUMBER	INCLUDES
C3031645	SS175 LOCKING DOG TOOL
C3031657	LOCKING DOG REPLACEMENT KIT
056653P	5/8" GRADE 2 BOLT (QTY 1)
055827P	5/8" SPRING LOCKWASHER (QTY 1)
055803P	5/8" GRADE 2 HEX NUT (QTY 1)



CHANCE TOLERANCE CHART		 HUBBELL® POWER SYSTEMS	
TITLE SS175 LOCKING DOG DRIVE TOOL			
<small>CONFIDENTIAL: THIS DRAWING AND ITS CONTENTS ARE CONFIDENTIAL AND THE EXCLUSIVE PROPERTY OF HUBBELL POWER SYSTEMS. NO PUBLICATION, DISTRIBUTION OR COPIES MAY BE MADE WITHOUT THE WRITTEN CONSENT OF HUBBELL POWER SYSTEMS. HUBBELL POWER SYSTEMS UNPUBLISHED. ALL RIGHTS RESERVED UNDER THE COPYRIGHT LAWS.</small>		<small>SIZE</small> DWG NO. C SA3031645 <small>QTY / PART / ASSY NO.</small> SEE CHART	<small>REV</small> A
<small>DO NOT SCALE THIS DRAWING</small>	<small>DRN BY</small> TMK	<small>DATE</small> 10/31/12	<small>SHEET</small> 1/1