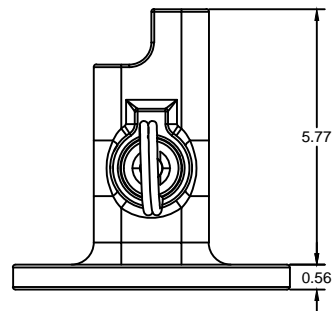
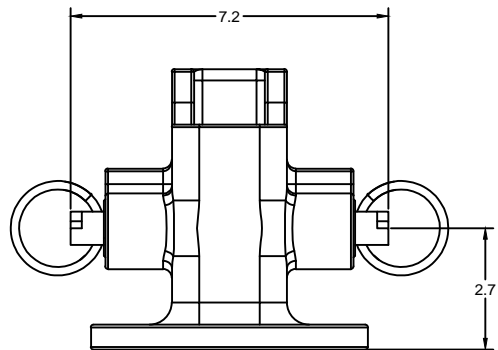
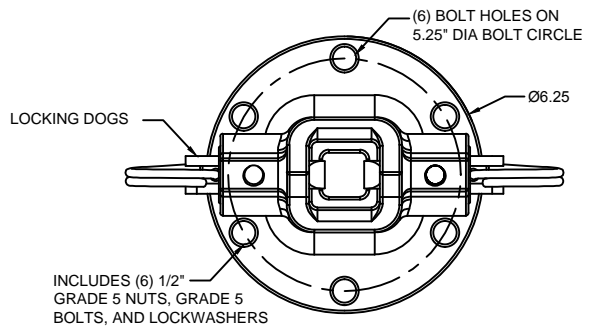
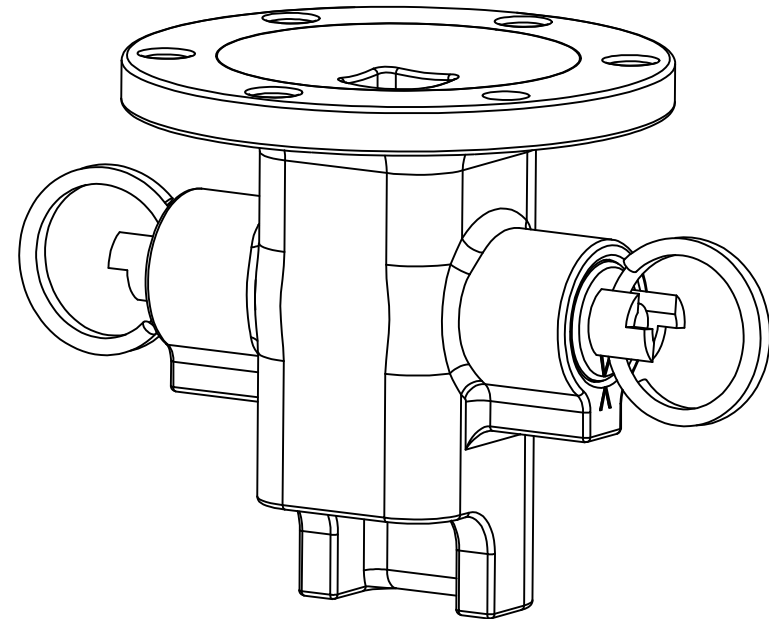



- *** NOTES ***
 1. MAT'L CAST STEEL
 2. PAINTED SPRUCE GREEN

CATALOG NUMBER	INCLUDES
C3031650	SS5/150 LOCKING DOG TOOL
C3031656	LOCKING DOG REPLACEMENT KIT
P0010259P	1/2" GRADE 5 BOLT (QTY 1)
O55371P	1/2" SPRING LOCKWASHER (QTY 1)
O55635P	1/2" GRADE 5 HEX NUT (QTY 1)



CHANCE TOLERANCE CHART		 HUBBELL® POWER SYSTEMS <small>Hubbell Power Systems, Inc.</small>	
<small>CONFIDENTIAL: THIS DRAWING AND ITS CONTENTS ARE CONFIDENTIAL AND THE EXCLUSIVE PROPERTY OF HUBBELL POWER SYSTEMS. NO PUBLICATION, DISTRIBUTION OR COPIES MAY BE MADE WITHOUT THE WRITTEN CONSENT OF HUBBELL POWER SYSTEMS. HUBBELL POWER SYSTEMS UNPUBLISHED. ALL RIGHTS RESERVED UNDER THE COPYRIGHT LAWS.</small>		TITLE SS5/150 LOCKING DOG DRIVE TOOL	
SIZE	DWG NO.	CAT / PART / ASSY NO.	REV
C	SA3031650	SEE CHART	A
DO NOT SCALE THIS DRAWING	DRN BY TMK	DATE 10/31/12	SHEET 1/1