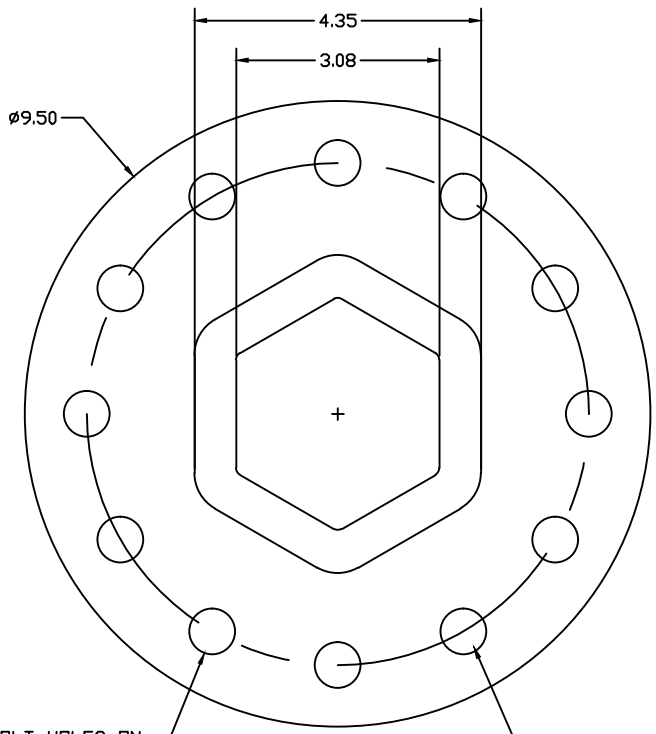


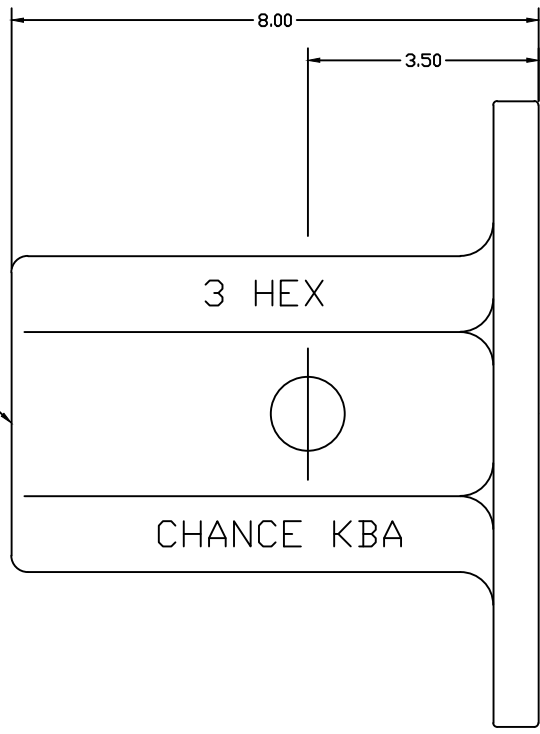
3" HEX KELLY BAR ADAPTER




(12) BOLT HOLES ON 7.63" DIA. BOLT CIRCLE

INCLUDES (12) 5/8" BOLTS, NUTS, AND LOCKWASHERS

ACCEPTS 3" HEX KELLY BAR ADAPTER



CHANCE		 HUBBELL POWER SYSTEMS <small>POWER SYSTEMS, INC.</small>	
<small>CONFIDENTIAL: THIS DRAWING AND ITS CONTENTS ARE CONFIDENTIAL AND THE EXCLUSIVE PROPERTY OF HUBBELL POWER SYSTEMS. NO PUBLICATION, DISTRIBUTION OR COPIES MAY BE MADE WITHOUT THE WRITTEN CONSENT OF HUBBELL POWER SYSTEMS. HUBBELL POWER SYSTEMS UNPUBLISHED ALL RIGHTS RESERVED UNDER THE COPYRIGHT LAWS.</small>		<small>TITLE</small> 3" HEX KELLY BAR ADAPTER	
		<small>SIZE</small> SB	<small>DWG NO.</small> SA3030940
<small>DO NOT SCALE THIS DRAWING</small>		<small>DRN BY</small> JCA	<small>DATE</small> 10/5/11
		<small>SHEET</small> 1	<small>REV</small> -