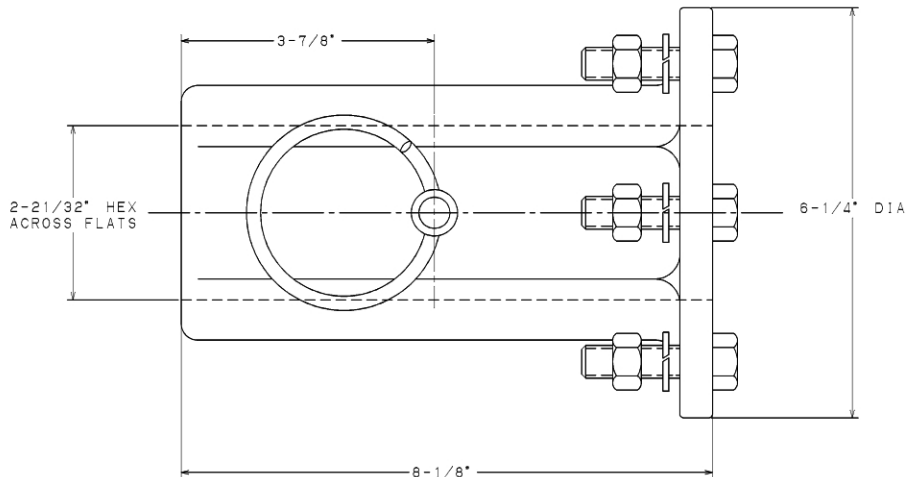


=NOTE=

1. FINISH SPRUCE GREEN ENAMEL.



LATEST EC NO:	REV.	DATE	CHANGED BY	RESP ENGINEER
EC95121303	A	12-13-95	THOMAS	HOYT

DRN BY: DATE JONES 04-108-87	TITLE: KELLY BAR SOCKET	DO NOT SCALE THIS DWG	THIRD ANGLE PROJECTION	
		ISO DUAL DIMENSIONS 1X=INCH. MM=MILLIMETER		

			DWG NO: SA630012HD	SIZE C
--	--	--	-----------------------	-----------

CONFIDENTIAL: THIS DRAWING AND ITS CONTENTS ARE CONFIDENTIAL AND THE EXCLUSIVE PROPERTY OF HUBBELL. NO REPRODUCTION, DISTRIBUTION, OR DISSEMINATION OF THIS DRAWING OR ITS CONTENTS IS PERMITTED WITHOUT THE WRITTEN CONSENT OF HUBBELL. © 2000 HUBBELL/A. B. CHANCE. UNPUBLISHED - ALL RIGHTS RESERVED UNDER THE COPYRIGHT LAWS